



# Electronic faucets

## 5EF-2D-DS-TMV

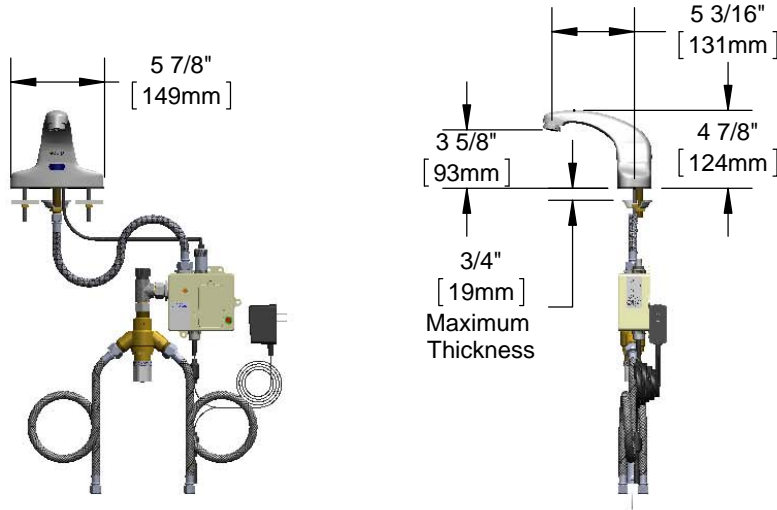
TAG:

### Electronic Sensor Faucet

#### Architect/Engineering Specifications:

4" deck mount electronic sensor faucet with polished chrome plated brass body with integral spout, 2.2 GPM vandal resistant aerator, AC/DC control module with internal flow control setting switches, thermostatic temperature control mixing valve with integral check valves and 18" flexible stainless steel supply hoses with 3/8" compression connections. Certified to ASME A112.18.1/CSA B125.1, NSF 61-Section 9, NSF 37, ASSE 1070 and UL 1951. Meets ADA ANSI/ICC A117.1 requirements

Job Name \_\_\_\_\_  
 Model Specified \_\_\_\_\_ Quantity \_\_\_\_\_  
 Variations Specified \_\_\_\_\_  
 Date \_\_\_\_\_



#### Features & Benefits:

- 4" deck mount Faucet w/ polished chrome plated brass body with integral spout
- 2.2 GPM vandal resistant aerator, Series 9 (B-0199-09)
- Water resistant control module w/ internal flow control switches for adjusting auto time out & shut off delay settings
- Optional auto flush feature flows water for 30 seconds after every 12 inactive hours
- Plug in AC transformer or (4) AA battery (DC) power options
- Thermostatic temperature control mixing valve w/ integral check valves
- 18" flexible stainless steel supply hoses w/ 3/8" compression connections
- Low battery LED indicator light
- Material: Polished chrome plated brass body

#### Product Compliance:

- ASME A112.18.1 / CSA B125.1
- NSF 61 - Section 9
- NSF 372 (Low Lead Content)
- ANSI A117.1 (ADA)
- UL 1951
- ASSE 1070 (TMV)

Warranty: One Year (Limited)

#### Performance Data:

- Pressure: 20 - 125 psi
- Temperature: 40°F - 140°F
- Flow Rate: 2.2 GPM @ 60 psi
- Water Consumption: @ 10 sec = .37 gal  
@ 15 sec = .55 gal



#### Optional Outlets (Series 4 / VR Series 9)

| GPM  | Aerated                               | Non-Aerated (Laminar)                   | VR Aerated                            | VR Non-Aerated (VR Laminar)             |
|------|---------------------------------------|---|---------------------------------------|---|
| 0.35 | N/A                                   | <input type="checkbox"/> B-0199-04-N035 | N/A                                   | <input type="checkbox"/> B-0199-09-N035 |
| 0.5  | N/A                                   | <input type="checkbox"/> B-0199-04-N05  | N/A                                   | <input type="checkbox"/> B-0199-09-N05  |
| 1.0  | N/A                                   | N/A                                     | N/A                                   | <input type="checkbox"/> B-0199-09-LF10 |
| 1.5  | <input type="checkbox"/> B-0199-04-WS | N/A                                     | <input type="checkbox"/> B-0199-09-WS | <input type="checkbox"/> B-0199-09-LF15 |
| 2.2  | <input type="checkbox"/> B-0199-04    | <input type="checkbox"/> B-0199-25      | Standard                              | <input type="checkbox"/> B-0199-27      |



equip Foodservice Accessories



• 2 Saddleback Cove • Travelers Rest, SC 29690  
 Ph 800-891-4808 • Fax 800-868-0084  
 www.tsbrass.com

Date: 06/08/15